

Operating instructions
Betriebsanleitung
Mode d'emploi

Pressure transmitter, model S-10

EN

Druckmessumformer, Typ S-10

DE

Transmetteur de pression, type S-10

FR



Pressure transmitter, model S-10

WIKAI

Part of your business

EN	Operating instructions model S-10	Page	3 - 26
DE	Betriebsanleitung Typ S-10	Seite	27 - 50
FR	Mode d'emploi type S-10	Page	51 - 74

© 2002 WIKA Alexander Wiegand SE & Co. KG
 All rights reserved. / Alle Rechte vorbehalten.
 WIKA® is a registered trademark in various countries.
 WIKA® ist eine geschützte Marke in verschiedenen Ländern.

Prior to starting any work, read the operating instructions!
 Keep for later use!

Vor Beginn aller Arbeiten Betriebsanleitung lesen!
 Zum späteren Gebrauch aufbewahren!

Lire le mode d'emploi avant de commencer toute opération !
 A conserver pour une utilisation ultérieure !

Contents**Contents**

1. General information	4
2. Design and function	5
3. Safety	6
4. Transport, packaging and storage	8
5. Commissioning, operation	9
6. Faults	12
7. Maintenance and cleaning	14
8. Dismounting, return and disposal	15
9. Specifications	17
10. Appendix 1: EC declaration of conformity	26

EN

Declarations of conformity can be found online at www.wika.com

1804437_13_03/2016 EN/DE/FR

WIKA operating instructions pressure transmitter, model S-10

3

2. Design and function

2. Design and function

2.1 Overview

EN



- ① Electrical connection (depending on version)
- ② Case; product label
- ③ Process connection, spanner flats
- ④ Process connection, thread

2.2 Scope of delivery

- Pressure transmitter
- Operating instructions

Cross-check scope of delivery with delivery note.

1604407_10 USG018 EN/DE/FR

3. Safety

3. Safety

3.1 Explanation of symbols

N

**WARNING!**

... indicates a potentially dangerous situation that can result in serious injury or death, if not avoided.

**CAUTION!**

... indicates a potentially dangerous situation that can result in light injuries or damage to equipment or the environment, if not avoided.

**Information**

... points out useful tips, recommendations and information for efficient and trouble-free operation.

3.2 Intended use

The pressure transmitter is used for measuring pressure. The measured pressure is output as an electrical signal.

Only use the pressure transmitter in applications that lie within its technical performance limits (e.g. max. ambient temperature, material compatibility, ...). The pressure transmitter is suitable for applications with pollution degree 3 and an ambient temperature of -20 ... +80 °C.

→ For performance limits, see chapter 9 "Specifications".

The instrument has been designed and built solely for the intended use described here, and may only be used accordingly.

The manufacturer shall not be liable for claims of any type based on operation contrary to the intended use.

3. Safety

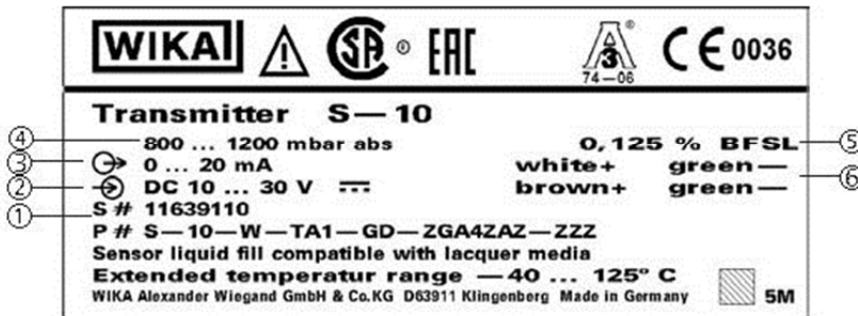
3.3 Personnel qualification

Skilled personnel

Skilled personnel, authorised by the operator, are understood to be personnel who, based on their technical training, knowledge of measurement and control technology and on their experience and knowledge of country-specific regulations, current standards and directives, are capable of carrying out the work described and independently recognising potential hazards.

3.4 Labelling, safety marks

Product label



- ① S# Serial no., P# Model code
- ② Power supply
- ③ Output signal
- ④ Measuring range
- ⑤ Accuracy
- ⑥ Pin assignment

T04445 / TO 0362UT6 EN/DE/FR

3. Safety / 4. Transport, packaging and storage

Symbols



Before mounting and commissioning the instrument, ensure you read the operating instructions!

4. Transport, packaging and storage

4.1 Transport

Check the pressure transmitter for any damage that may have been caused during transportation. Obvious damage must be reported immediately.

4.2 Packaging and storage

Do not remove packaging until just before mounting.

Keep the packaging as it will provide optimum protection during transport (e.g. change in installation site, sending for repair).

Permissible conditions at the place of storage:

- Storage temperature: -40 ... +100 °C
- Humidity: 45 ... 75 % relative humidity (no condensation)

5. Commissioning, operation

5. Commissioning, operation

5.1 Mounting the instrument

Prior to commissioning, the pressure transmitter must be subjected to a visual inspection.

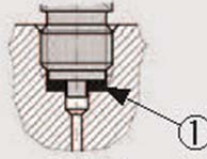

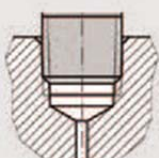
- Leaking fluid is indicative of damage.
- Only use the pressure transmitter if it is in perfect condition with respect to safety.

Requirements for mounting point

The mounting point must meet the following conditions:

- Ambience corresponds to a max. pollution degree of 3.
- Humidity ≤ 80 % r. h. (non-condensing).
- Protected from weather influences.
- Sealing faces are clean and undamaged.
- Sufficient space for a safe electrical installation.
- For information on tapped holes and welding sockets, see Technical information IN 00.14 at www.wika.com.
- Permissible ambient and medium temperatures remain within the performance limits. Consider possible restrictions on the ambient temperature range caused by mating connector used.
→ For performance limits, see chapter 9 "Specifications"

Sealing variants

<p>Parallel threads Seal the sealing face ① with a flat gasket, lens-type sealing ring or WIKA profile sealing.</p>	 <p>per EN 837</p>	 <p>per DIN 3852-E</p>
<p>Tapered threads Wrap threads with sealing material (e.g. PTFE tape).</p>	 <p>NPT, R and PT</p>	

100445 / 10 US/2016 EN/2/2-PT

5. Commissioning, operation

Mounting the instrument



The max. torque depends on the mounting point (e.g. material and shape). If you have any questions, please contact our application consultant.
→ For contact details, see chapter 1 “General information” or the back page of the operating instructions.

1. Seal the sealing face (→ see “Sealing variants”).
2. At the mounting point, screw the pressure transmitter in hand-tight.
3. Tighten with a torque spanner using the spanner flats.

5.2 Connecting the instrument to the electric system

Requirements for voltage supply

→ For power supply, see product label

The power supply for the pressure transmitter must be made via an energy-limited electrical circuit in accordance with section 9.4 of UL/EN/IEC 61010-1, or an LPS per UL/EN/IEC 60950-1 / CSA C22.2 no. 60950-1, or class 2 in accordance with UL1310/UL1585 (NEC or CEC). The voltage supply must be suitable for operation above 2,000 m should the pressure transmitter be used at this altitude.

Requirements for electrical connection

- Cable diameter matches the cable bushing of the mating connector.
- Cable gland and seals of the mating connector are correctly seated.
- With cable outlets, no humidity can ingress at the cable end.

Requirement for shielding and grounding

The pressure transmitter must be shielded and grounded in accordance with the grounding concept of the plant.


Connecting the instrument

1. Assemble the mating connector or cable outlet.
→ For pin assignments, see product label
2. Establish the plug connection.

5. Commissioning, operation

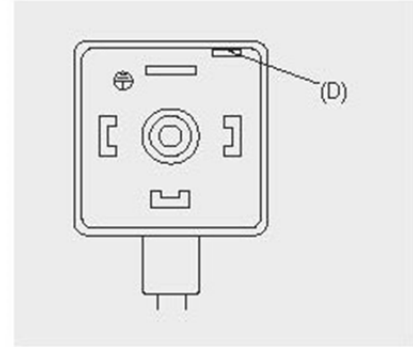
5.3 Fitting a DIN 175301-803 angular connector

1. Loosen the screw (1).
2. Loosen the cable gland (2).
3. Pull the angular connector (5) + (6) away from the instrument.

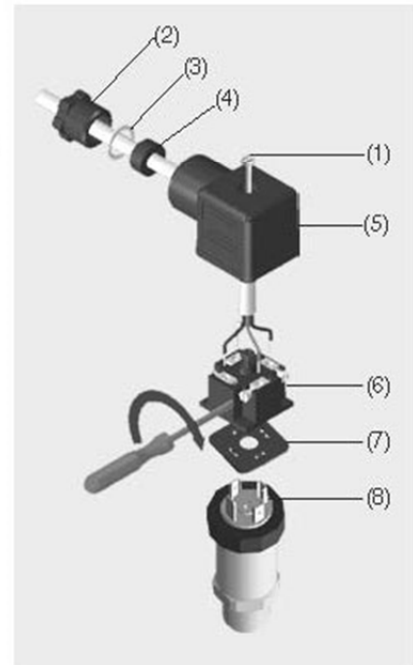
4.  **CAUTION!**
Improper mounting
The seal of the angle housing will be damaged.
▶ Do not try to push the terminal block (6) out using the screw hole (1) or the cable gland (2).

Via the mounting hole (D), lever the terminal block (6) out of the angle housing (5).

5. Slide the cable through the cable gland (2), the ring (3), the sealing (4) and the angle housing (5).
6. Connect the cable ends to the terminal blocks (6) in accordance with the connection diagram.
7. Press the angle housing (5) onto the terminal block (6).
8. Make sure that the seals are not damaged and that the cable gland and seals are correctly seated in order to ensure ingress protection.
9. Tighten the cable gland (2) around the cable.
10. Place the flat gasket (7) over the instrument's connection pins.
11. Push the angular connector (5) + (6) onto the instrument.
12. Tighten the screw (1).



EN



6. Faults

6. Faults

N**CAUTION!****Physical injuries and damage to property and the environment**

If faults cannot be eliminated by means of the listed measures, the pressure transmitter must be taken out of operation immediately.

- ▶ Ensure that pressure or signal is no longer present and protect against accidental commissioning.
- ▶ Contact the manufacturer.
- ▶ If a return is needed, please follow the instructions given in chapter 8.2 "Return".

**WARNING!****Physical injuries and damage to property and the environment caused by hazardous media**

Upon contact with hazardous media (e.g. oxygen, acetylene, flammable or toxic substances), harmful media (e.g. corrosive, toxic, carcinogenic, radioactive), and also with refrigeration plants and compressors, there is a danger of physical injuries and damage to property and the environment.

- ▶ Should a failure occur, aggressive media with extremely high temperature and under high pressure or vacuum may be present at the instrument.
- ▶ For these media, in addition to all standard regulations, the appropriate existing codes or regulations must also be followed.
- ▶ Wear the requisite protective equipment (see chapter 3.4 "Personal protective equipment").



For contact details, see chapter 1 "General information" or the back page of the operating instructions.

In the event of any faults, first check whether the pressure transmitter is mounted correctly, mechanically and electrically. If complaint is unjustified, the handling costs will be charged.

6. Faults

Faults	Causes	Measures
No output signal	Cable break	Check the continuity
Deviating zero point signal	Overpressure limit exceeded	Observe the permissible overpressure limit
Deviating zero point signal	Too high/low working temperature	Observe the permissible temperatures
Constant output signal upon change in pressure	Mechanical overload caused by overpressure	Replace instrument; if it fails repeatedly, contact the manufacturer
Signal span varies	EMC interference sources in the environment; for example, frequency converter	Shield instrument; cable shield; remove source of interference
Signal span varies/inaccurate	Too high/low working temperature	Observe the permissible temperatures
Signal span drops/too small	Mechanical overload caused by overpressure	Replace instrument; if it fails repeatedly, contact the manufacturer

EN

If complaint is unjustified, we will charge you the complaint processing fees.

7. Maintenance and cleaning

7. Maintenance and cleaning



7.3.1 Maintenance

This pressure transmitter is maintenance-free.
Repairs must only be carried out by the manufacturer.

7.3.2 Cleaning



CAUTION!

Unsuitable cleaning agents

Cleaning with unsuitable cleaning agents may damage the instrument and the product label.

- ▶ Do not use any aggressive cleaning agents.
- ▶ Do not use any hard or pointed objects.
- ▶ Do not use any abrasive cloths or sponges.

Suitable cleaning agents

- Water
- Conventional dishwashing detergent

Cleaning the instrument

1. Depressurise and de-energise the pressure transmitter.
2. Wipe the instrument surface using a soft, damp cloth.

8. Dismounting, return and disposal

8. Dismounting, return and disposal

EN

8.1 Dismounting



WARNING!

Physical injuries and damage to property and the environment caused by hazardous media

Upon contact with hazardous media (e.g. oxygen, acetylene, flammable or toxic substances), harmful media (e.g. corrosive, toxic, carcinogenic, radioactive), and also with refrigeration plants and compressors, there is a danger of physical injuries and damage to property and the environment.

- ▶ Should a failure occur, aggressive media with extremely high temperature and under high pressure or vacuum may be present at the instrument.
- ▶ Wear the requisite protective equipment.

Dismounting the instrument

1. Depressurise and de-energise the pressure transmitter.
2. Disconnect the electrical connection.
3. Unscrew the pressure transmitter with a spanner using the spanner flats.

8.2 Return

Strictly observe the following when shipping the instrument:

All instruments delivered to WIKA must be free from any kind of hazardous substances (acids, bases, solutions, etc.) and must therefore be cleaned before being returned.



WARNING!

Physical injuries and damage to property and the environment through residual media

Residual media in the dismantled instrument can result in a risk to persons, the environment and equipment.

- ▶ With hazardous substances, include the material safety data sheet for the corresponding medium.
- ▶ Clean the instrument, see chapter 7.2 "Cleaning".

8. Dismounting, return

When returning the instrument, use the original packaging or a suitable transport packaging.

N

Information on returns can be found under the heading "Service" on our local website.

8.3 Disposal

Incorrect disposal can put the environment at risk.

Dispose of instrument components and packaging materials in an environmentally compatible way and in accordance with the country-specific waste disposal regulations.

9. Specifications

9. Specifications

Measuring ranges and overpressure limits (gauge pressure)

EN

bar	Measuring range	0 ... 0.01	0 ... 0.16	0 ... 0.25	0 ... 0.4	0 ... 0.6	0 ... 1	0 ... 1.6
	Overpressure limit	1	1.5	2	2	4	5	10
	Measuring range	0 ... 2.5	0 ... 4	0 ... 6	0 ... 10	0 ... 16	0 ... 25	0 ... 40
	Overpressure limit	10	17	35	35	80	50	80
	Measuring range	0 ... 60	0 ... 100	0 ... 160	0 ... 250	0 ... 400	0 ... 600	0 ... 1,000
	Overpressure limit	120	200	320	500	800	1,200	1,500
psi	Measuring range	0 ... 5	0 ... 10	0 ... 15	0 ... 20	0 ... 25	0 ... 30	0 ... 50
	Overpressure limit	29	29	72.5	145	145	145	240
	Measuring range	0 ... 60	0 ... 100	0 ... 150	0 ... 160	0 ... 170	0 ... 200	0 ... 250
	Overpressure limit	240	500	500	1,160	1,160	1,160	1,160
	Measuring range	0 ... 300	0 ... 400	0 ... 500	0 ... 600	0 ... 750	0 ... 800	0 ... 1,000
	Overpressure limit	1,160	1,160	1,160	1,160	1,740	1,740	1,740
	Measuring range	0 ... 1,500	0 ... 1,600	0 ... 2,000	0 ... 3,000	0 ... 4,000	0 ... 5,000	0 ... 6,000
	Overpressure limit	2,900	4,600	4,600	7,200	7,200	7,200	11,600
	Measuring range	0 ... 7,500	0 ... 8,000	0 ... 10,000	0 ... 15,000			
	Overpressure limit	17,400	17,400	17,400	21,700			

1804457-15 03/2016 EN/DE/FR

9. Specifications

Measuring ranges and overpressure limits (absolute pressure)

bar	Measuring range	0 ... 0.25	0 ... 0.4	0 ... 0.6	0 ... 1	0 ... 1.6	0 ... 2.5	0 ... 4
	Overpressure limit	2	2	4	5	10	10	17
psi	Measuring range	0 ... 6	0 ... 10	0 ... 16	0 ... 25	0.8 ... 1.2		
	Overpressure limit	35	35	80	80	5		
psi	Measuring range	0 ... 15	0 ... 25	0 ... 50	0 ... 100	0 ... 250		
	Overpressure limit	72.5	145	240	500	1,160		

Measuring ranges and overpressure limits (vacuum and +/- measuring range)

bar	Measuring range	-0.6 ... 0	-0.4 ... 0	-0.25 ... 0	-0.16 ... 0	-0.1 ... 0	-1 ... 0	-1 ... +0.6
	Overpressure limit	4	2	2	1.5	1	5	10
psi	Measuring range	-1 ... +1.5	-1 ... +3	-1 ... +5	-1 ... +9	-1 ... +15	-1 ... +24	
	Overpressure limit	10	17	35	35	80	50	
psi	Measuring range	-15 inHg ... 0		-30 inHg ... 0		-30 inHg ... +15		
	Overpressure limit	72.5		72.5		145		
psi	Measuring range	-30 inHg ... +30		-30 inHg ... +60		-30 inHg ... +100		
	Overpressure limit	240		240		500		
psi	Measuring range	-30 inHg ... +160		-30 inHg ... +200		-30 inHg ... +300		
	Overpressure limit	1,160		1,160		1,160		

9. Specifications

Specifications		
Vacuum tightness	Yes	
Output signal		
Output signal	see product label	
Load	4 ... 20 mA (2-wire)	≤ (power supply - 10 V) / 0.02 A
	20 ... 4 mA (2-wire)	
	0 ... 20 mA (3-wire)	≤ (power supply - 3 V) / 0.02 A
	DC 0 ... 10 V (3-wire)	> max. output signal / 1 mA
	DC 0 ... 5 V (3-wire)	
	DC 1 ... 5 V (3-wire)	
DC 0.5 ... 4.5 V ratiometric (3-wire)		
Voltage supply		
Power supply	see product label The power supply for the pressure transmitter must be made via an energy-limited electrical circuit in accordance with section 9.3 of UL/EN/IEC 61010-1, or an LPS per UL/EN/IEC 60950-1, or class 2 in accordance with UL1310/UL1585 (NEC or CEC). The voltage supply must be suitable for operation above 2,000 m should the pressure transmitter be used at this altitude.	
Accuracy specifications		
Non-linearity (per IEC 61298-2)	≤ ±0.2 % of span BFSL	
Non-repeatability	≤ ±0.1 % of span	
Accuracy at reference conditions	see product label	
Adjustability of zero point and span	±5 %	

EN

1804457-15 03/2016 EN/IEC/UL

9. Specifications

Specifications		
Vacuum tightness	Yes	
Output signal		
Output signal	see product label	
Load	4 ... 20 mA (2-wire)	≤ (power supply - 10 V) / 0.02 A
	20 ... 4 mA (2-wire)	
	0 ... 20 mA (3-wire)	≤ (power supply - 3 V) / 0.02 A
	DC 0 ... 10 V (3-wire)	> max. output signal / 1 mA
	DC 0 ... 5 V (3-wire)	
	DC 1 ... 5 V (3-wire)	
	DC 0.5 ... 4.5 V ratiometric (3-wire)	
Voltage supply		
Power supply	see product label	
<p>The power supply for the pressure transmitter must be made via an energy-limited electrical circuit in accordance with section 9.3 of UL/EN/IEC 61010-1, or an LPS per UL/EN/IEC 60950-1, or class 2 in accordance with UL1310/UL1585 (NEC or CEC). The voltage supply must be suitable for operation above 2,000 m should the pressure transmitter be used at this altitude.</p>		
Accuracy specifications		
Non-linearity (per IEC 61298-2)	≤ ±0.2 % of span BFSL	
Non-repeatability	≤ ±0.1 % of span	
Accuracy at reference conditions	see product label	
Adjustability of zero point and span	±5 %	

EN

1804457_15_03/2016 EN/IEC/UL

9. Specifications

Specifications

Temperature error at 0 ... 80 °C	Mean temperature coefficient of zero point	Measuring ranges ≤ 0.25 bar: ≤ 0.4 % of span/10 K
	Mean temperature coefficient of span:	Measuring ranges > 0.25 bar: ≤ 0.2 % of span/10 K
Long-term stability at reference conditions	$\leq \pm 0.2$ % of span/year	
Reference conditions		
Ambient temperature	15 ... 25 °C	
Atmospheric pressure	860 ... 1,060 mbar	
Humidity	45 ... 75 % r. h.	
Power supply	DC 24 V	
Mounting position	Calibrated in vertical mounting position with process connection facing downwards.	
Time response		
Settling time	≤ 1 ms ≤ 2 ms for output signal DC 0.5 ... 4.5 V ratiometric and measuring ranges < 400 mbar, 10 psi	

Specifications

Operating conditions

Ingress protection	The stated ingress protection only applies when plugged in using mating connectors that have the appropriate ingress protection.	
	Angular connector DIN 175301-803 A	IP65
	Angular connector DIN 175301-803 with ½ NPT	IP65
	Circular connector M12 x 1 (4-pin)	IP67
	Bayonet connector (6-pin)	IP67
	½ NPT conduit male, with cable outlet	IP67
	Cable outlet (standard)	IP67
	Cable outlet (not adjustable)	IP68
	Cable outlet (adjustable)	IP68
Shock resistance	1,000 g (IEC 60068-2-27, mechanical)	
Vibration resistance	20 g (per IEC 60068-2-6)	
Permissible temperature ranges	Medium: -30 ... +100 °C (option: -40 ... +125 °C)	
	Ambient: -20 ... +80 °C	
	Storage: -40 ... +100 °C	
Pollution degree	max. 3	
Humidity	≤ 80 % r. h. (non-condensing)	

EN

1804457_15_03/2016 EN/DE/FR/H

Specifications

Electrical connection

Short-circuit resistance	S+ vs. U-
Reverse polarity protection	U ₊ vs. U-
Insulation voltage	DC 500 V

Materials

Wetted parts	Stainless steel	
Non-wetted parts	Case	Stainless steel
	Internal pressure transmission medium	Synthetic oil Instruments with a measuring range of > 25 bar relative do not contain any pressure transmission medium (dry measuring cell).
	Clamping nut	PA
	Angular connector	PA
	O-rings at the clamping nut	NBR
	Flat gasket	VMQ

CE conformity

Pressure equipment directive	97/23/EC
EMC directive	2004/108/EC EN 61326 emission (group 1, class B) and interference immunity (industrial application)

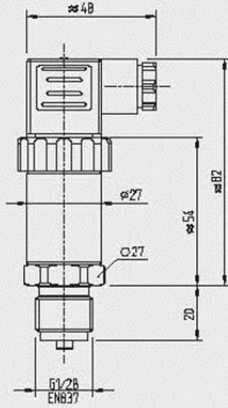
For further specifications see WIKA data sheet PE 81.01 and the order documentation.

1604457.15.03/2016 EN/DE/FR

9. Specifications

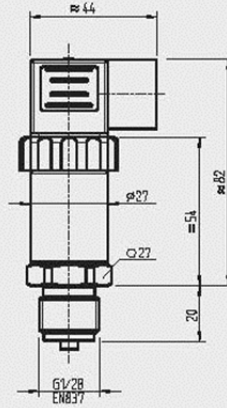
Dimensions in mm

Angular connector DIN 175301-803 A



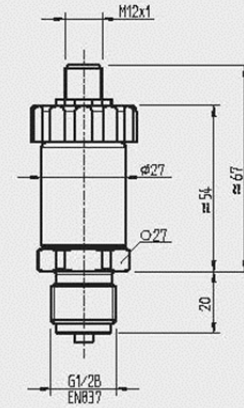
Weight: approx. 200 g

Angular connector DIN 175301-803 with 1/2 NPT



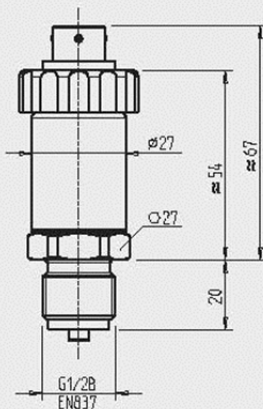
Weight: approx. 200 g

Circular connector M12 x 1 (4-pin)



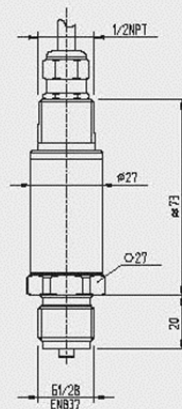
Weight: approx. 200 g

Bayonet connector (6-pin)



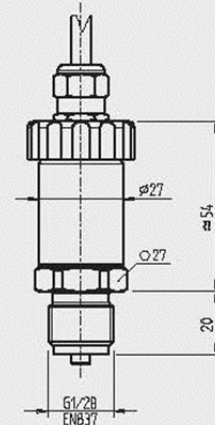
Weight: approx. 200 g

1/2 NPT conduit male, with cable outlet



Weight: approx. 200 g

Cable outlet, standard

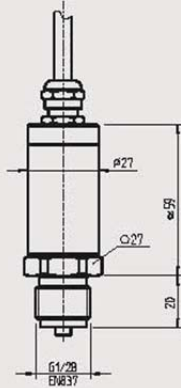


Weight: approx. 200 g

1804457-15 03/2016 EN/DE/FR/H

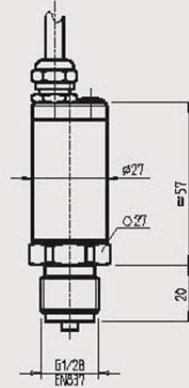
9. Specifications

Cable outlet, not adjustable

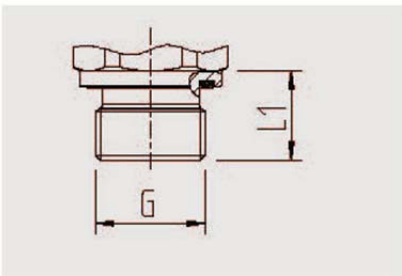


Weight: approx. 200 g

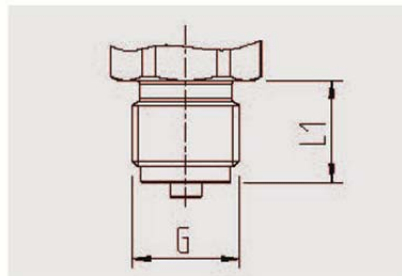
Cable outlet, adjustable



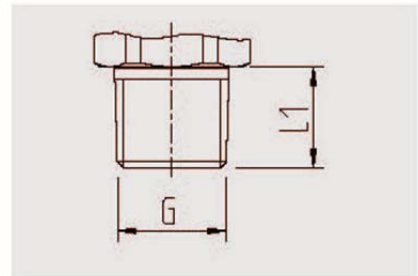
Weight: approx. 200 g



G	L1
G 1/4 A DIN 3852-E	14



G	L1
G 1/4 B EN 837	13

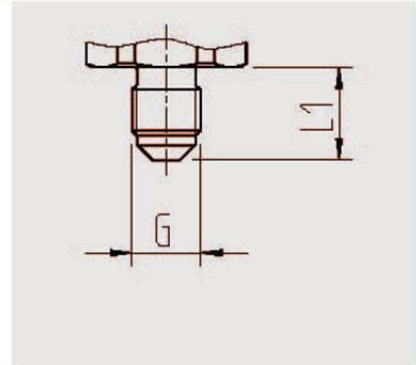
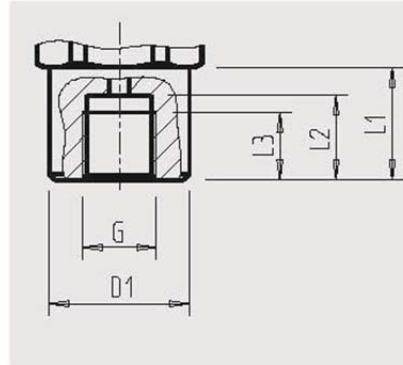
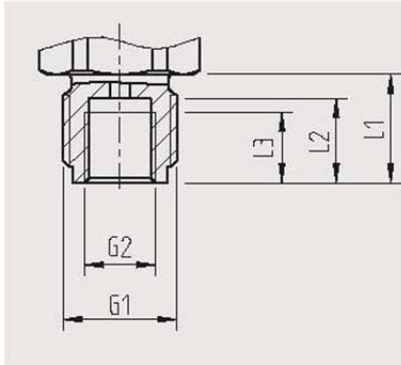


G	L1
1/4 NPT	13

G 1/2 B EN 837	20
M20 x 1.5	20

1/2 NPT	19
R 1/4	13

9. Specifications


EN

G1	G2	L1	L2	L3
G 1/2 B	G 1/4	20	15.5	13

G	D1	L1	L2	L3
G 1/4 female	25	20	15	12

G	L1
7/16-20 UNF with 74° taper	15

For special models S-10000 or special version S-10, other technical specifications apply. Please note the specifications stated on the order confirmation and the delivery note.

For further specifications see WIKA data sheet PE 81.01 and the order documentation.

1804457_15_03/2016 EN/DE/FR/H

Appendix 1: EC declaration of conformity

N

EG-Konformitätserklärung	EC Declaration of Conformity
Dokument Nr.: 11134828.02	Document No.: 11134828.02
Wir erklären in alleiniger Verantwortung, dass die mit CE gekennzeichneten Produkte	We declare under our sole responsibility that the CE marked products
Typ: S-10, S-11	Model: S-10, S-11
Beschreibung: Druckmessumformer für allgemeine Anwendungen	Description: Pressure transmitter for general applications
gemäß gültigem Datenblatt: PE 81.01, PE 81.02	according to the valid data sheet: PE 81.01, PE 81.02
die grundlegenden Schutzanforderungen der folgenden Richtlinie(n) erfüllen: 2004/108/EG (EMV) 97/23/EG (DGRL) ¹⁾	are in conformity with the essential protection requirements of the directive(s) 2004/108/EC (EMC) 97/23/EC (PED) ¹⁾
Die Geräte wurden entsprechend den folgenden Normen geprüft: EN 61326-1:2006 EN 61326-2-3:2006	The devices have been tested according to the following standards: EN 61326-1:2006 EN 61326-2-3:2006
¹⁾ PS > 200 bar, Modul A, druckhaltendes Ausrüstungsteil	¹⁾ PS > 200 bar, Module A, pressure accessory
Unterszeichnet für und im Namen von / Signed for and on behalf of	
WIKA Alexander Wiegand SE & Co. KG	
Klingenberg, 2012-09-03	
Geschäftsbereich / Company division: TRONIC	Qualitätsmanagement / Quality management: TRONIC
Stefan Richter	Steffen Schlessiona
Unterschrift, autorisiert durch das Unternehmen / Signature authorized by the company	
WKA Alexander Wiegand SE & Co. KG Alexander Wiegand Straße 30 83011 Klingenberg Germany	Tel. +49 9372 132-0 Fax. +49 9372 132-406 E-Mail: info@wika.de www.wika.de
Kommanditgesellschaft, Sitz Klingenberg - Angehörig Ausschließung HRB 1819 Konglomerat: WKA Vinnahung SE & Co. KG - Sitz Klingenberg - Angehörig Ausschließung HRB 4025	Komplementärin: WKA International SE - Sitz Klingenberg - Angehörig Ausschließung HRB 10405 Vorstand: Alexander Wiegand Vorsitzender des Aufsichtsrats: Dr. Max Figg

1604457_15_03/2016 EN/DE/FR

Inhalt**Inhalt**

1. Allgemeines	28
2. Aufbau und Funktion	29
3. Sicherheit	30
4. Transport, Verpackung und Lagerung	32
5. Inbetriebnahme, Betrieb	33
6. Störungen	36
7. Wartung und Reinigung	38
8. Demontage, Rücksendung und Entsorgung	39
9. Technische Daten	41
10. Anlage 1: EG-Konformitätserklärung	50

DE

Konformitätserklärungen finden Sie online unter www.wika.de

160457-15 03/2016 EN/DE/FR

WIKA Betriebsanleitung Druckmessumformer Typ S-10

27

1. Allgemeines

1. Allgemeines

- Das in der Betriebsanleitung beschriebene Gerät wird nach dem aktuellen Stand der Technik konstruiert und gefertigt. Alle Komponenten unterliegen während der Fertigung strengen Qualitäts- und Umweltkriterien. Unsere Managementsysteme sind nach ISO 9001 und ISO 14001 zertifiziert.
- Diese Betriebsanleitung gibt wichtige Hinweise zum Umgang mit dem Gerät. Voraussetzung für sicheres Arbeiten ist die Einhaltung aller angegebenen Sicherheitshinweise und Handlungsanweisungen.
- Die für den Einsatzbereich des Gerätes geltenden örtlichen Unfallverhütungsvorschriften und allgemeinen Sicherheitsbestimmungen einhalten.
- Die Betriebsanleitung ist Produktbestandteil und muss in unmittelbarer Nähe des Gerätes für das Fachpersonal jederzeit zugänglich aufbewahrt werden. Betriebsanleitung an nachfolgende Benutzer oder Besitzer des Gerätes weitergeben.
- Das Fachpersonal muss die Betriebsanleitung vor Beginn aller Arbeiten sorgfältig durchgelesen und verstanden haben.
- Es gelten die allgemeinen Geschäftsbedingungen in den Verkaufsunterlagen.
- Technische Änderungen vorbehalten.
- Weitere Informationen:
 - Internet-Adresse: www.wika.de / www.wika.com
 - Zugehöriges Datenblatt: PE 81.01
 - Anwendungsberater: Tel.: +49 9372 132-8976
Fax: +49 9372 132-8008976
support-tronic@wika.de

2. Aufbau und Funktion

2. Aufbau und Funktion

2.1 Überblick



- ① Elektrischer Anschluss (je nach Ausführung)
- ② Gehäuse; Typenschild
- ③ Prozessanschluss, Schlüsselfläche
- ④ Prozessanschluss, Gewinde

DE

2.2 Lieferumfang

- Druckmessumformer
- Betriebsanleitung

Lieferumfang mit dem Lieferschein abgleichen.

1604457;15 03/2016 EN/DE/FR

3. Sicherheit

3. Sicherheit

3.1 Symbolerklärung

E


WARNUNG!

... weist auf eine möglicherweise gefährliche Situation hin, die zum Tod oder zu schweren Verletzungen führen kann, wenn sie nicht gemieden wird.


VORSICHT!

... weist auf eine möglicherweise gefährliche Situation hin, die zu geringfügigen oder leichten Verletzungen bzw. Sach- und Umweltschäden führen kann, wenn sie nicht gemieden wird.


Information

... hebt nützliche Tipps und Empfehlungen sowie Informationen für einen effizienten und störungsfreien Betrieb hervor.

3.2 Bestimmungsgemäße Verwendung

Der Druckmessumformer dient der Messung von Druck. Der gemessene Druck wird als elektrisches Signal ausgegeben.

Den Druckmessumformer nur in Anwendungen verwenden, die innerhalb seiner technischen Leistungsgrenzen liegen (z. B. max. Umgebungstemperatur, Materialverträglichkeit, ...). Der Druckmessumformer eignet sich für Anwendungen mit Verschmutzungsgrad 3 und einer Umgebungstemperatur von -20 ... +80 °C.

→ Leistungsgrenzen siehe Kapitel 9 „Technische Daten“.

Das Gerät ist ausschließlich für den hier beschriebenen bestimmungsgemäßen Verwendungszweck konzipiert und konstruiert und darf nur dementsprechend verwendet werden.

Ansprüche jeglicher Art aufgrund von nicht bestimmungsgemäßer Verwendung sind ausgeschlossen.

3. Sicherheit

3.3 Personalqualifikation

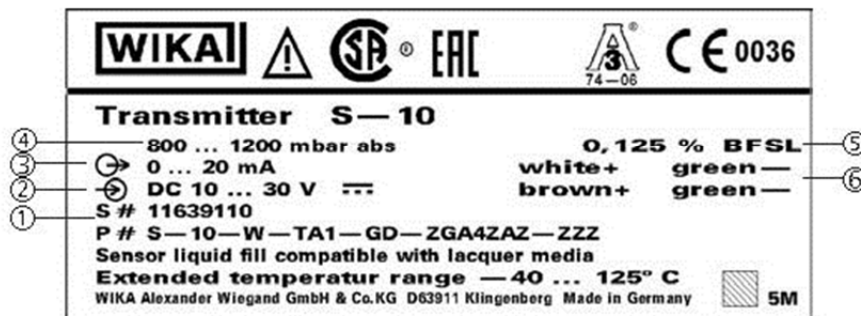
Fachpersonal

Das vom Betreiber autorisierte Fachpersonal ist aufgrund seiner fachlichen Ausbildung, seiner Kenntnisse der Mess- und Regelungstechnik und seiner Erfahrungen sowie Kenntnis der landesspezifischen Vorschriften, geltenden Normen und Richtlinien in der Lage, die beschriebenen Arbeiten auszuführen und mögliche Gefahren selbstständig zu erkennen.

DE

3.4 Beschilderung, Sicherheitskennzeichnungen

Typenschild



- | | |
|-----------------------------|---------------------|
| ① S# Serien-Nr., P# Typcode | ⑤ Genauigkeit |
| ② Hilfsenergie | ⑥ Anschlussbelegung |
| ③ Ausgangssignal | |
| ④ Messbereich | |

1604457_15_03/2016 EN/DE/FR

3. Sicherheit / 4. Transport, Verpackung und Lagerung

Symbole



Vor Montage und Inbetriebnahme des Gerätes unbedingt die Betriebsanleitung lesen!

E

4. Transport, Verpackung und Lagerung

4.1 Transport

Druckmessumformer auf eventuell vorhandene Transportschäden untersuchen.
Offensichtliche Schäden unverzüglich mitteilen.

4.2 Verpackung und Lagerung

Verpackung erst unmittelbar vor der Montage entfernen.

Die Verpackung aufbewahren, denn diese bietet bei einem Transport einen optimalen Schutz (z. B. wechselnder Einbauort, Reparatursendung).

Zulässige Bedingungen am Lagerort:

- Lagertemperatur: -40 ... +100 °C
- Feuchtigkeit: 45 ... 75 % relative Feuchte (keine Betauung)

5. Inbetriebnahme, Betrieb

5. Inbetriebnahme, Betrieb

5.1 Gerät montieren

Vor der Inbetriebnahme den Druckmessumformer optisch prüfen.

- Auslaufende Flüssigkeit weist auf eine Beschädigung hin.
- Den Druckmessumformer nur in sicherheitstechnisch einwandfreiem Zustand einsetzen.

DE

Anforderungen an Montagestelle

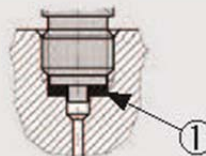
Die Montagestelle muss folgende Bedingungen erfüllen:

- Umgebung entspricht einem max. Verschmutzungsgrad 3.
- Luftfeuchte $\leq 80\%$ r. F. (nicht-kondensierend).
- Geschützt vor Wettereinflüssen.
- Dichtflächen sind sauber und unbeschädigt.
- Ausreichend Platz für eine sichere elektrische Installation.
- Angaben zu Einschraublöchern und Einschweißstutzen siehe Technische Information IN 00.14 unter www.wika.de.
- Zulässige Umgebungs- und Messstofftemperaturen bleiben innerhalb der Leistungsgrenzen. Mögliche Einschränkungen des Umgebungstemperaturbereichs durch verwendeten Gegenstecker berücksichtigen.
→ Leistungsgrenzen siehe Kapitel 9 „Technische Daten“

Abdichtungsvarianten

Zylindrische Gewinde

Dichtfläche \odot mit Flachdichtung, Dichtlinse oder WIKA-Profildichtung abdichten.



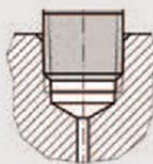
nach EN 837



nach DIN 3852-E

Kegelige Gewinde

Gewinde mit Dichtwerkstoff umwickeln (z. B. PTFE-Band).



NPT, R und PT

1604457.15 03/2016 EN/DE/FR

5. Inbetriebnahme, Betrieb

Gerät montieren



Der max. Drehmoment ist abhängig von der Montagestelle (z. B. Werkstoff und Form). Bei Fragen wenden Sie sich an unseren Anwendungsberater.
→ Kontaktdaten siehe Kapitel 1 „Allgemeines“ oder Rückseite der Betriebsanleitung.

E

1. Dichtfläche abdichten (→ siehe „Abdichtungsvarianten“).
2. Druckmessumformer handfest in Montagestelle einschrauben.
3. Mit Drehmomentschlüssel über Schlüssel­fläche anziehen.

5.2 Gerät elektrisch anschließen

Anforderungen an Spannungsversorgung

→ Hilfsenergie siehe Typenschild

Die Versorgung des Druckmessumformers muss durch einen energiebegrenzten Stromkreis gemäß 9.4 der UL/EN/IEC 61010-1 oder LPS gemäß UL/EN/IEC 60950-1 / CSA C22.2 No.60950-1 oder Class 2 gemäß UL1310/UL1585 (NEC oder CEC) erfolgen. Die Spannungsversorgung muss für den Betrieb oberhalb 2.000 m geeignet sein, falls der Druckmessumformer ab dieser Höhe verwendet wird.

Anforderungen an elektrische Verbindung

- Kabeldurchmesser passt zur Kabeldurchführung des Gegensteckers.
- Kabelverschraubung und Dichtungendes Gegensteckers sitzen korrekt.
- Bei Kabelausgängen kann keine Feuchtigkeit am Kabelende eindringen.

Anforderung an Schirmung und Erdung

Der Druckmessumformer muss entsprechend dem Erdungskonzept der Anlage geschirmt und geerdet werden.

Gerät anschließen

1. Gegenstecker oder Kabelausgang konfektionieren.
→ Anschlussbelegungen siehe Typenschild
2. Steckverbindung herstellen.

5. Inbetriebnahme, Betrieb

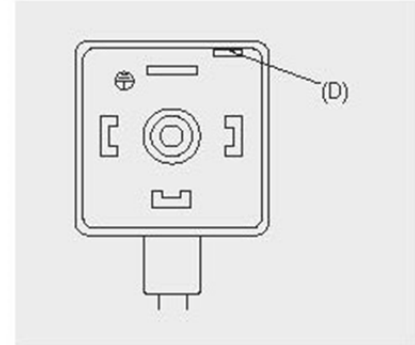
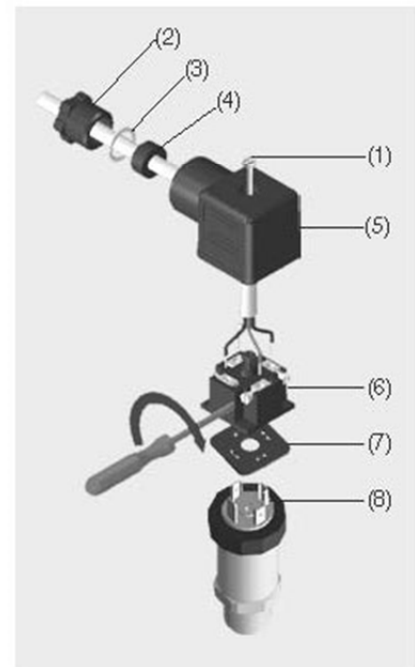
5.3 Montage Winkelstecker DIN 175301-803

1. Schraube (1) lösen.
2. Kabelverschraubung (2) lösen.
3. Winkelstecker (5) + (6) vom Gerät abziehen.

4.  **VORSICHT!**
Unsachgemäße Montage
 Dichtung des Winkelgehäuses wird beschädigt.
 ► Klemmblock (6) nicht durch Schraubenöffnung (1) oder Kabelverschraubung (2) herausdrücken.

Über Montageöffnung (D) den Klemmblock (6) aus dem Winkelgehäuse (5) hebeln.

5. Kabel durch Kabelverschraubung (2), Ring (3), Dichtung (4) und Winkelgehäuse (5) schieben.
6. Kabeln den gemäß Anschlusschema am Klemmblocks (6) anschließen.
7. Winkelgehäuse (5) auf Klemmblock (6) drücken.
8. Darauf achten, dass die Dichtungen unbeschädigt sind und Kabelverschraubung und Dichtungen korrekt sitzen, um die Schutzart zu gewährleisten.
9. Kabel über Kabelverschraubung (2) verschrauben.
10. Flachdichtung (7) über Anschlusspins des Gerätes legen.
11. Winkelstecker (5) + (6) auf Gerät stecken.
12. Schraube (1) festziehen.


DE


6. Störungen

6. Störungen

E



VORSICHT!

Körperverletzungen, Sach- und Umweltschäden

Können Störungen mit Hilfe der aufgeführten Maßnahmen nicht beseitigt werden, Druckmessumformer unverzüglich außer Betrieb setzen.

- ▶ Sicherstellen, dass kein Druck bzw. Signal mehr anliegt und gegen versehentliche Inbetriebnahme schützen.
- ▶ Kontakt mit dem Hersteller aufnehmen.
- ▶ Bei notwendiger Rücksendung die Hinweise unter Kapitel 8.2 „Rücksendung“ beachten.



WARNUNG!

Körperverletzungen, Sach- und Umweltschäden durch gefährliche Messstoffe

Bei Kontakt mit gefährlichen Messstoffen (z. B. Sauerstoff, Acetylen, brennbaren oder giftigen Stoffen), gesundheitsgefährdenden Messstoffen (z. B. ätzend, giftig, krebserregend, radioaktiv) sowie bei Kälteanlagen, Kompressoren besteht die Gefahr von Körperverletzungen, Sach- und Umweltschäden.

- ▶ Am Gerät können im Fehlerfall aggressive Messstoffe mit extremer Temperatur und unter hohem Druck oder Vakuum anliegen.
- ▶ Bei diesen Messstoffen müssen über die gesamten allgemeinen Regeln hinaus die einschlägigen Vorschriften beachtet werden.
- ▶ Notwendige Schutzausrüstung tragen (siehe Kapitel 3.4 „Persönliche Schutzausrüstung“).



Kontaktdaten siehe Kapitel 1 „Allgemeines“ oder Rückseite der Betriebsanleitung.

Bei Störungen zuerst überprüfen, ob der Druckmessumformer mechanisch und elektrisch korrekt montiert ist. Im unberechtigten Reklamationsfall werden Bearbeitungskosten berechnet.

6. Störungen

Störungen	Ursachen	Maßnahmen
Kein Ausgangssignal	Leitungsbruch	Durchgang überprüfen
Abweichendes Nullpunkt-Signal	Überlast-Druckgrenze überschritten	Zulässige Überlast-Druckgrenze einhalten
Abweichendes Nullpunkt-Signal	Zu hohe/niedrige Einsatztemperatur	Zulässige Temperaturen einhalten
Gleichbleibendes Ausgangssignal bei Druckänderung	Mechanische Überlastung durch Überdruck	Gerät austauschen; bei wiederholtem Ausfall Rücksprache mit Hersteller
Signalspanne schwankend	EMV-Störquellen in Umgebung, z. B. Frequenzumrichter	Gerät abschirmen; Leitungsabschirmung; Störquelle entfernen
Signalspanne schwankend/ungenau	Zu hohe/niedrige Einsatztemperatur	Zulässige Temperaturen einhalten
Signalspanne fällt ab/zu klein	Mechanische Überlastung durch Überdruck	Gerät austauschen; bei wiederholtem Ausfall Rücksprache mit Hersteller

DE

Im unberechtigten Reklamationsfall berechnen wir die Reklamationsbearbeitungskosten.

160457-15 03/2016 EN/DE/FR

7. Wartung und Reinigung

7. Wartung und Reinigung

7.3.1 Wartung

Dieser Druckmessumformer ist wartungsfrei.

Reparaturen sind ausschließlich vom Hersteller durchzuführen.

E

7.3.2 Reinigung



VORSICHT!

Ungeeignete Reinigungsmittel

Eine Reinigung mit ungeeigneten Reinigungsmitteln kann Gerät und Typenschild beschädigen.

- ▶ Keine aggressiven Reinigungsmittel verwenden.
- ▶ Keine harten oder spitzen Gegenstände verwenden.
- ▶ Keine scheuernden Tücher oder Schwämme verwenden.

Geeignete Reinigungsmittel

- Wasser
- Handelsüblicher Geschirreiniger

Gerät reinigen

1. Druckmessumformer druck- und stromlos schalten.
2. Geräteoberfläche mit weichem, feuchten Tuch abwischen.

8. Demontage, Rücksendung und Entsorgung

8. Demontage, Rücksendung und Entsorgung

8.1 Demontage

**WARNUNG!****Körperverletzungen, Sach- und Umweltschäden durch gefährliche Messstoffe**

Bei Kontakt mit gefährlichen Messstoffen (z. B. Sauerstoff, Acetylen, brennbaren oder giftigen Stoffen), gesundheitsgefährdenden Messstoffen (z. B. ätzend, giftig, krebserregend, radioaktiv) sowie bei Kälteanlagen, Kompressoren besteht die Gefahr von Körperverletzungen, Sach- und Umweltschäden.

- ▶ Am Gerät können im Fehlerfall aggressive Messstoffe mit extremer Temperatur und unter hohem Druck oder Vakuum anliegen.
- ▶ Notwendige Schutzausrüstung tragen.

DE

Gerät demontieren

1. Druckmessumformer druck- und stromlos schalten.
2. Elektrische Verbindung trennen.
3. Druckmessumformer mit Schraubenschlüssel über Schlüsselfläche ausschrauben.

8.2 Rücksendung

Beim Versand des Gerätes unbedingt beachten:

Alle an WIKA gelieferten Geräte müssen frei von Gefahrstoffen (Säuren, Laugen, Lösungen, etc.) sein und sind daher vor der Rücksendung zu reinigen.

**WARNUNG!****Körperverletzungen, Sach- und Umweltschäden durch Messstoffreste**

Messstoffreste im ausgebauten Gerät können zur Gefährdung von Personen, Umwelt und Einrichtung führen.

- ▶ Bei Gefahrenstoffen das Sicherheitsdatenblatt für den entsprechenden Messstoff beilegen.
- ▶ Gerät reinigen, siehe Kapitel 7.2 „Reinigung“.

8. Demontage, Rücksendung

Zur Rücksendung des Gerätes die Originalverpackung oder eine geeignete Transportverpackung verwenden.



Hinweise zur Rücksendung befinden sich in der Rubrik „Service“ auf unserer lokalen Internetseite.

E

8.3 Entsorgung

Durch falsche Entsorgung können Gefahren für die Umwelt entstehen.

Gerätekomponenten und Verpackungsmaterialien entsprechend den landesspezifischen Abfallbehandlungs- und Entsorgungsvorschriften umweltgerecht entsorgen.

9. Technische Daten

9. Technische Daten

Messbereiche und Überlast-Druckgrenzen (Relativdruck)

bar	Messbereich	0 ... 0,01	0 ... 0,16	0 ... 0,25	0 ... 0,4	0 ... 0,6	0 ... 1	0 ... 1,6
	Überlast-Druckgrenze	1	1,5	2	2	4	5	10
	Messbereich	0 ... 2,5	0 ... 4	0 ... 6	0 ... 10	0 ... 16	0 ... 25	0 ... 40
	Überlast-Druckgrenze	10	17	35	35	80	50	80
	Messbereich	0 ... 60	0 ... 100	0 ... 160	0 ... 250	0 ... 400	0 ... 600	0 ... 1.000
	Überlast-Druckgrenze	120	200	320	500	800	1.200	1.500
psi	Messbereich	0 ... 5	0 ... 10	0 ... 15	0 ... 20	0 ... 25	0 ... 30	0 ... 50
	Überlast-Druckgrenze	29	29	72,5	145	145	145	240
	Messbereich	0 ... 60	0 ... 100	0 ... 150	0 ... 160	0 ... 170	0 ... 200	0 ... 250
	Überlast-Druckgrenze	240	500	500	1.160	1.160	1.160	1.160
	Messbereich	0 ... 300	0 ... 400	0 ... 500	0 ... 600	0 ... 750	0 ... 800	0 ... 1.000
	Überlast-Druckgrenze	1.160	1.160	1.160	1.160	1.740	1.740	1.740
	Messbereich	0 ... 1.500	0 ... 1.600	0 ... 2.000	0 ... 3.000	0 ... 4.000	0 ... 5.000	0 ... 6.000
	Überlast-Druckgrenze	2.900	4.600	4.600	7.200	7.200	7.200	11.600
	Messbereich	0 ... 7.500	0 ... 8.000	0 ... 10.000	0 ... 15.000			
	Überlast-Druckgrenze	17.400	17.400	17.400	21.700			

DE

16045/-15 03/2016 EN/DE/F/H

9. Technische Daten

Messbereiche und Überlast-Druckgrenzen (Absolutdruck)

bar	Messbereich	0 ... 0,25	0 ... 0,4	0 ... 0,6	0 ... 1	0 ... 1,6	0 ... 2,5	0 ... 4
	Überlast-Druckgrenze	2	2	4	5	10	10	17
psi	Messbereich	0 ... 6	0 ... 10	0 ... 16	0 ... 25	0,8 ... 1,2		
	Überlast-Druckgrenze	35	35	80	80	5		
psi	Messbereich	0 ... 15	0 ... 25	0 ... 50	0 ... 100	0 ... 250		
	Überlast-Druckgrenze	72,5	145	240	500	1.160		

Messbereiche und Überlast-Druckgrenzen (Vakuum- und +/- Messbereich)

bar	Messbereich	-0,6 ... 0	-0,4 ... 0	-0,25 ... 0	-0,16 ... 0	-0,1 ... 0	-1 ... 0	-1 ... +0,6
	Überlast-Druckgrenze	4	2	2	1,5	1	5	10
psi	Messbereich	-1 ... +1,5	-1 ... +3	-1 ... +5	-1 ... +9	-1 ... +15	-1 ... +24	
	Überlast-Druckgrenze	10	17	35	35	80	50	
psi	Messbereich	-15 inHg ... 0		-30 inHg ... 0		-30 inHg ... +15		
	Überlast-Druckgrenze	72,5		72,5		145		
psi	Messbereich	-30 inHg ... +30		-30 inHg ... +60		-30 inHg ... +100		
	Überlast-Druckgrenze	240		240		500		
psi	Messbereich	-30 inHg ... +160		-30 inHg ... +200		-30 inHg ... +300		
	Überlast-Druckgrenze	1.160		1.160		1.160		

9. Technische Daten

Technische Daten		
Vakuumfestigkeit	Ja	
Ausgangssignal		
Ausgangssignal	siehe Typenschild	
Bürde	4 ... 20 mA (2-Leiter)	$\leq (\text{Hilfsenergie} - 10 \text{ V}) / 0,02 \text{ A}$
	20 ... 4 mA (2-Leiter)	
	0 ... 20 mA (3-Leiter)	$\leq (\text{Hilfsenergie} - 3 \text{ V}) / 0,02 \text{ A}$
	DC 0 ... 10 V (3-Leiter)	> max. Ausgangssignal / 1 mA
	DC 0 ... 5 V (3-Leiter)	
	DC 1 ... 5 V (3-Leiter)	
	DC 0,5 ... 4,5 V ratiometrisch (3-Leiter)	
Spannungsversorgung		
Hilfsenergie	siehe Typenschild Die Versorgung des Druckmessumformers muss durch einen energiebegrenzten Stromkreis gemäß 9.3 der UL/EN/IEC 61010-1 oder LPS gemäß UL/EN/IEC 60950-1 oder Class 2 gemäß UL1310/JL1585 (NEC oder CEC) erfolgen. Die Spannungsversorgung muss für den Betrieb oberhalb 2.000 m geeignet sein, falls der Druckmessumformer ab dieser Höhe verwendet wird.	
Genauigkeitsangaben		
Nichtlinearität (nach IEC 61298-2)	$\leq \pm 0,2 \%$ der Spanne BFSL	
Nichtwiederholbarkeit	$\leq \pm 0,1 \%$ der Spanne	
Genauigkeit bei Referenzbedingungen	siehe Typenschild	
Einstellbarkeit Nullpunkt und Spanne	$\pm 5 \%$	

DE

160457-15 03/2016 EN/DE/FR

9. Technische Daten

Technische Daten

Temperaturfehler bei 0 ... 80 °C	Mittlerer Temperaturkoeffizient des Nullpunktes	Messbereiche $\leq 0,25$ bar: $\leq 0,4$ % der Spanne/10 K
	Mittlerer Temperaturkoeffizient der Spanne:	Messbereiche $> 0,25$ bar: $\leq 0,2$ % der Spanne/10 K
Langzeitstabilität bei Referenzbedingungen	$\leq \pm 0,2$ % der Spanne/Jahr	

Referenzbedingungen

Umgebungstemperatur	15 ... 25 °C
Luftdruck	860 ... 1.060 mbar
Luftfeuchte	45 ... 75 % r. F.
Hilfsenergie	DC 24 V
Einbaulage	Kalibriert bei senkrechter Einbaulage mit dem Prozessanschluss nach unten

Zeitverhalten

Einschwingzeit	≤ 1 ms ≤ 2 ms für Ausgangssignal DC 0,5 ... 4,5 V ratiometrisch und Messbereiche < 400 mbar, 10 psi
----------------	--

Technische Daten

Einsatzbedingungen

Schutzart	Die angegebenen Schutzarten gelten nur im gesteckten Zustand mit Gegensteckern entsprechender Schutzart.	
	Winkelstecker DIN 175301-803 A	IP65
	Winkelstecker DIN 175301-803 mit ½ NPT	IP65
	Rundstecker M12 x 1 (4-polig)	IP67
	Bajonettstecker (6-polig)	IP67
	½ NPT Conduit außen, mit Kabelausgang	IP67
	Kabelausgang (Standard)	IP67
	Kabelausgang (nicht abgleichbar)	IP68
	Kabelausgang (abgleichbar)	IP68

Schockfestigkeit 1.000 g (IEC 60068-2-27, mechanisch)

Vibrationsbeständigkeit 20 g (nach IEC 60068-2-6)

Zulässige Temperaturbereiche Messstoff: -30 ... +100 °C (Option: -40 ... +125 °C)

Umgebung: -20 ... +80 °C

Lagerung: -40 ... +100 °C

Verschmutzungsgrad max. 3

Luftfeuchte ≤ 80 % r. F. (nicht-kondensierend)

Elektrischer Anschluss

Kurzschlussfestigkeit S+ gegen U-

Verpolungsschutz U₊ gegen U-

Isolationsspannung DC 500 V

DE

180457-15 03/2016 EN/DE/FR

Technische Daten

Werkstoffe

Messstoffberührte Teile	CrNi-Stahl	
Nicht messstoffberührte Teile	Gehäuse	CrNi-Stahl
	Internes Druckübertragungsmedium	Synthetisches Öl Geräte mit Messbereich > 25 bar relativ enthalten kein Druckübertragungsmedium (trockene Messzelle).
	Griffring	PA
	Winkelstecker	PA
	O-Ringe am Griffing	NBR
	Flachdichtung	VMQ

CE-Konformität

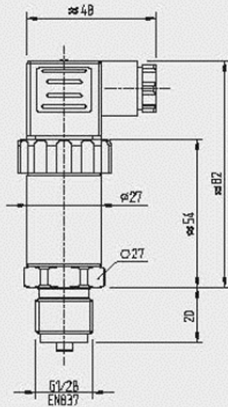
Druckgeräterichtlinie	97/23/EG
EMV-Richtlinie	2004/108/EG EN 61326 Emission (Gruppe 1, Klasse B) und Störfestigkeit (industrieller Bereich)

Weitere technische Daten siehe WIKA-Datenblatt PE 81.01 und Bestellunterlagen.

9. Technische Daten

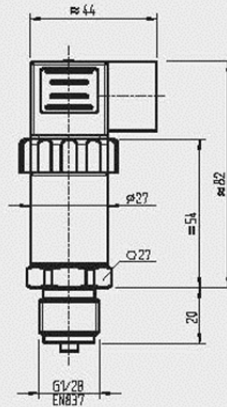
Abmessungen in mm

Winkelstecker DIN 175301-803 A



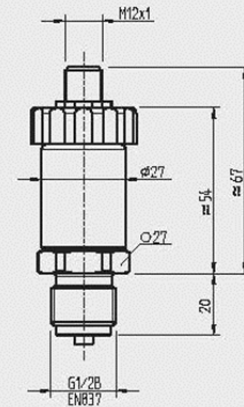
Gewicht: ca. 200 g

Winkelstecker DIN 175301-803 mit 1/2 NPT



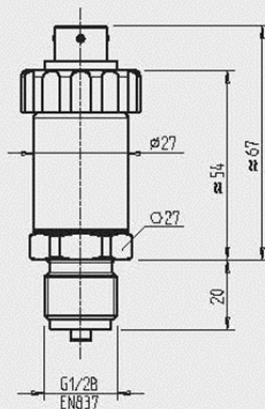
Gewicht: ca. 200 g

Rundstecker M12 x 1 (4-polig)



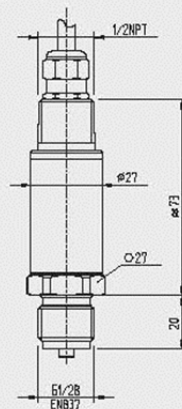
Gewicht: ca. 200 g

Bajonettstecker (6-polig)



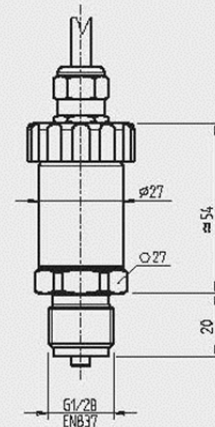
Gewicht: ca. 200 g

1/2 NPT Conduit außen, mit Kabelausgang



Gewicht: ca. 200 g

Kabelausgang, Standard

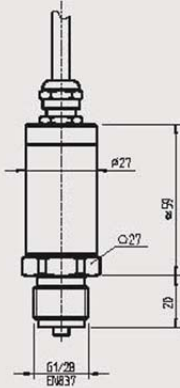


Gewicht: ca. 200 g

180445/15 03/2016 EN/DE/FR/H

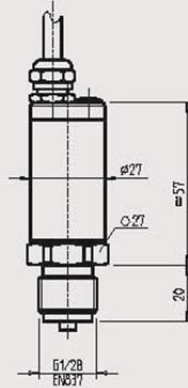
9. Technische Daten

Kabelausgang, nicht abgleichbar

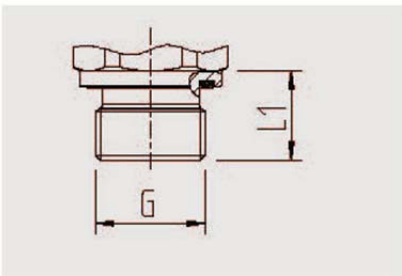


Gewicht: ca. 200 g

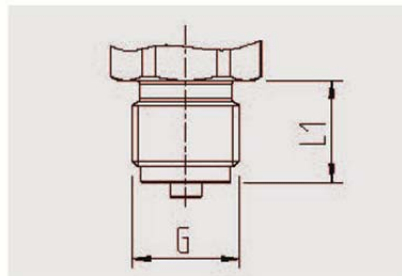
Kabelausgang, abgleichbar



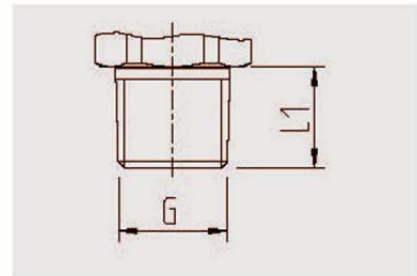
Gewicht: ca. 200 g



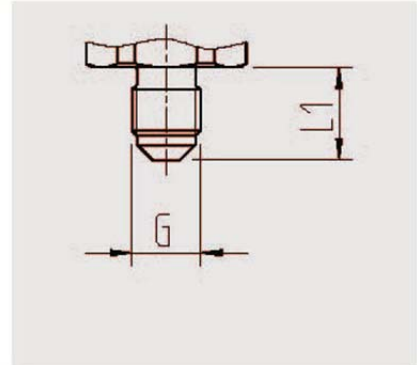
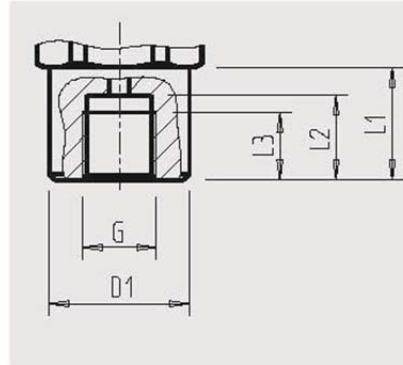
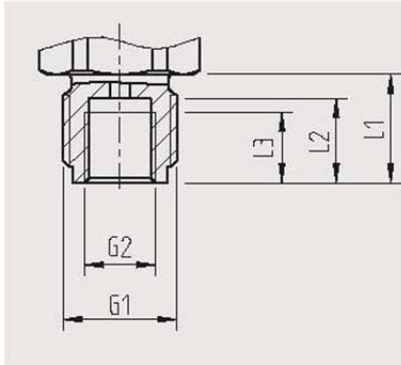
G	L1
G 1/4 A DIN 3852-E	14



G	L1
G 1/4 B EN 837	13
G 1/2 B EN 837	20
M20 x 1,5	20



G	L1
1/4 NPT	13
1/2 NPT	19
R 1/4	13

9. Technische Daten

DE

G1	G2	L1	L2	L3
G 1/2 B	G 1/4	20	15,5	13

G	D1	L1	L2	L3
G 1/4 innen	25	20	15	12

G	L1
7/16-20 UNF mit 74° Konus	15

Bei Sondertypen S-10000 oder S-10 Special Version gelten abweichende technische Spezifikationen. Spezifikationen gemäß Auftragsbestätigung und Lieferschein beachten.
 Weitere technische Daten siehe WIKA Datenblatt PE 81.01 und Bestellunterlagen.

180445/15 03/2016 EN/DE/F/H

Anlage 1: EG-Konformitätserklärung

E

EG-Konformitätserklärung	EC Declaration of Conformity
Dokument Nr.:	Document No.:
11134828.02	11134828.02
Wir erklären in alleiniger Verantwortung, dass die mit CE gekennzeichneten Produkte	We declare under our sole responsibility that the CE marked products
Typ:	Model:
S-10, S-11	S-10, S-11
Beschreibung:	Description:
Druckmessumformer für allgemeine Anwendungen	Pressure transmitter for general applications
gemäß gültigem Datenblatt:	according to the valid data sheet:
PE 81.01, PE 81.02	PE 81.01, PE 81.02
die grundlegenden Schutzanforderungen der folgenden Richtlinie(n) erfüllen:	are in conformity with the essential protection requirements of the directive(s)
2004/108/EG (EMV) 97/23/EG (DGRL) ¹⁾	2004/108/EC (EMC) 97/23/EC (PED) ¹⁾
Die Geräte wurden entsprechend den folgenden Normen geprüft:	The devices have been tested according to the following standards:
EN 61326-1:2006 EN 61326-2-3:2006	EN 61326-1:2006 EN 61326-2-3:2006
¹⁾ PS > 200 bar, Modul A, druckhaltendes Ausrüstungsteil	¹⁾ PS > 200 bar, Module A, pressure accessory
Unterszeichnet für und im Namen von / Signed for and on behalf of	
WIKA Alexander Wiegand SE & Co. KG	
Klingenberg, 2012-09-03	
Geschäftsbereich / Company division: TRONIC	Qualitätsmanagement / Quality management: TRONIC
Stefan Richter	Steffen Schlessiona
Unterschrift, autorisiert durch das Unternehmen / Signature authorized by the company	
WKA Alexander Wiegand SE & Co. KG Alexander Wiegand-Strasse 30 83011 Klingenberg Germany	Tel. +49 9372 132-0 Fax +49 9372 132-406 E-Mail: info@wika.de www.wika.de
Kommanditgesellschaft, Sitz Klingenberg - Ansgersitz Aachenerberg 182A 1819 Klingenberg WKA Verwaltungs SE & Co. KG - 524 Klingenberg - Ansgersitz Aachenerberg 182A 4025	Komplementärin: WKA International SE - Sitz Klingenberg - Ansgersitz Aachenerberg 182B 10405 Steffen Alexander Wiegand Vorstandsvorsitzender, Dr. Max Figg

1604457_15_03/2016 EN/DE/FR

Gilt für folgende Artikel:

Druckmessumformer, Nichtlinearität 0,2 % der Spanne

Artikel Nr.

Typen Nr.

102693 bis 102708

891.11 bis 891.29